

Pedestrian Gangways and Walkways



Important Notes:

All installation work must be thoroughly planned before work commences on site to identify hazards and assess risk.

These instructions form guidance for Pedestrian Gangways and Walkways. Non-standard applications should be approved by a suitably qualified engineer.

Ensure all personnel engaged in installation operations are properly briefed and adequately supervised by a competent person.

THIS DOCUMENT IS NOT CONTROLLED WHEN PRINTED

For more information on this and other products and services,
[visit the TPA website](#)

**IF IN ANY DOUBT SEEK FURTHER ADVICE:
24 HOUR HELPLINE: 0370 240 2381**

Rev	Date	Comments	Initial
1.2	17/09/20	Update	DSW



Introduction

TPA's range of aluminium Pedestrian Walkways are designed for pedestrian use across excavations and ditches. They have removable handrails and range from 1660mm - 6060mm long with a maximum loading capacity of 400kgs/m².

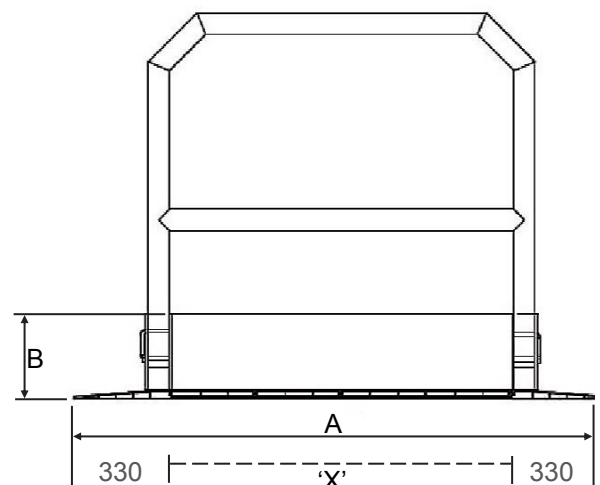
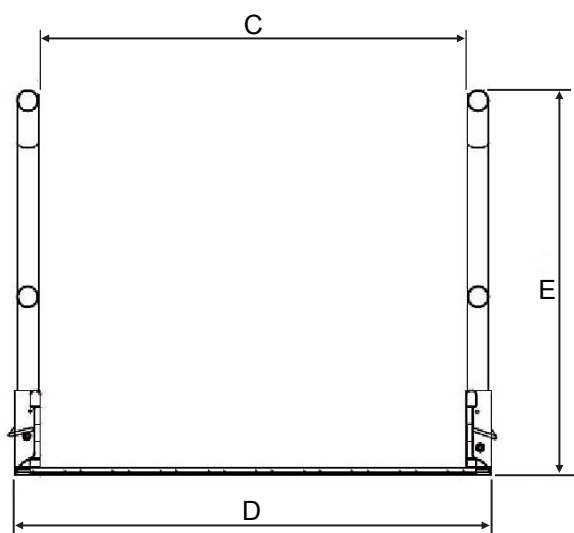
The handrails on the sides of the walkways are 1000mm high when deployed and fold in on themselves for ease of transportation and can be removed completely. The footstops are 200mm high

Main Features

- Safe pedestrian access across excavations
- Rest on connections - simply put the ramp in place and begin to use
- Foldable edges that are designed to reduce ramp size during transportation
- 200mm high footstops
- One metre high ergonomic handrails
- Lightweight aluminium design

Technical Specification

Pedestrian Gangway Specifications							
	A	B	'X'	C	D	E	
Loading Capacity Kg/m ²	Length (mm)	Height of Footstops (mm)	Max Width Excavation (mm)	Internal Width (mm)	External Width (mm)	Height of Handrails (mm)	Weight per Piece (kg)
400	1660	200	1000	1000	1120	1000	43
400	2260	200	1600	1000	1120	1000	56
400	2660	200	2000	1000	1120	1000	64
400	3260	200	2600	1000	1120	1000	77
400	4060	200	3400	1000	1120	1000	94
400	5060	200	4400	1000	1120	1000	115
400	6060	200	5400	1000	1120	1000	136



General Notes



Safety Note: Extreme care and adequate precautions must be taken to prevent trapping fingers during installation.



Pedestrian Gangways and Walkways

Note: at both sides of the walkway there must be a minimum rest of 330 mm. The maximum gradient of 5% in the gangway's inclination cannot be exceeded